

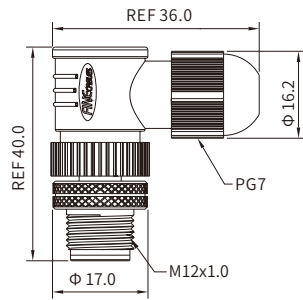
M12 B-coding (Profibus)

M12 B-coding Angled Connector, Field Wirable Assembly, Solder

Male



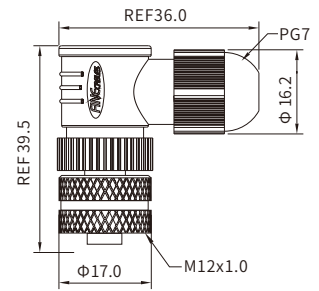
CE RoHS



Female



CE RoHS



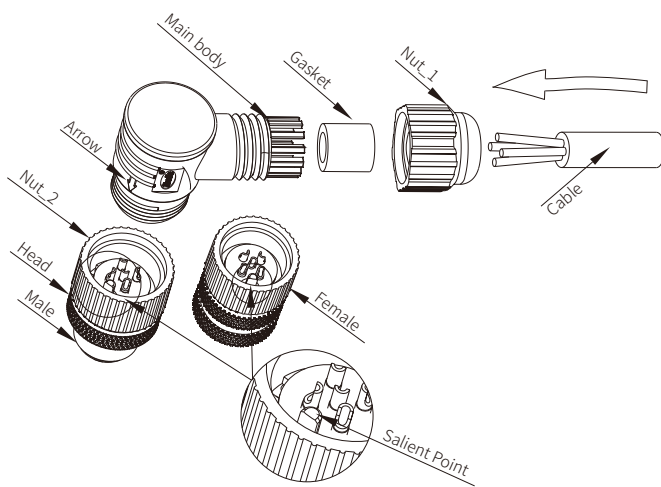
Specifications

Contacts	3	4	5
Pin layout(Male)			
Pin layout(Female)			
Standard	IEC 61076-2-101		
Ambient temperature	-25°C~+90°C		
Connector insert	TPU		
Connector contacts	Brass with gold plated		
Connector body	PA		
Coupling nut/screw	Brass with nickel plated		
Seal/O-ring	FKM		
Insulation resistance	≥100MΩ		
Contact resistance	≤5mΩ		
Shielding	Unavailable		
Suitable cable Dia	4~5.5mm		
IP rating	IP67, IP68 in locked condition		
Mating endurance	>500 cycles		
Rated current	4 A		
Rated voltage	250V AC/DC		60V AC/DC
Wire gauge	0.34mm ² (AWG22)		

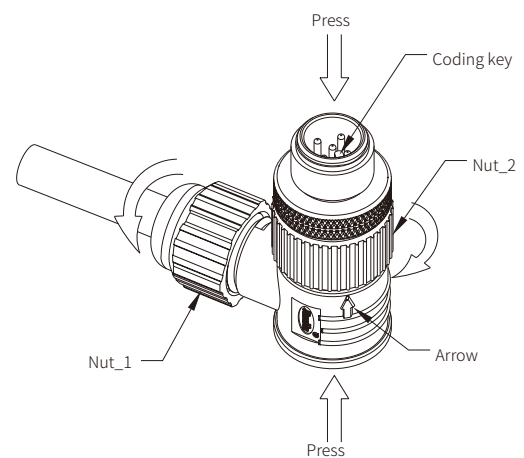
Part Number

Pins	Male	Female
3	MB12MABFF03RA	MB12FABFF03RA
4	MB12MABFF04RA	MB12FABFF04RA
5	MB12MABFF05RA	MB12FABFF05RA

Assembly Instruction



Picture 1



Picture 2